

TATA MOTORS
Connecting Aspirations



Presenting the new TATA YODHA 4x4

Bharosa Har Kadam



TECHNICAL SPECIFICATIONS

ENGINE

Type	Tata 4SPCR TCIC 4-cylinder BS4
Capacity	2 956 cc
Max. Output	64 kW (85 hp) @ 3 000 r/min
Max. Torque	250 Nm @ 1 000 - 2 000 r/min
Fuel Tank Capacity	45 l

CLUTCH & TRANSMISSION

Clutch	Single Plate Dry Friction Type 260 mm dia
Gearbox	GBS76 - 5 / 4.1, 4x4 Mechanical Transfer Shift
	Synchromesh, 5 Forward + 1 Reverse
Steering	Power Steering

SUSPENSION

Front	Semi-elliptical Leaf Springs - 6 Leaves
Rear	Innovative Two-stage Semi-elliptical Leaf Springs - 7 Leaves
Anti-roll Bar	Front

BRAKES

Front	Hydraulic, Disc Brakes
Rear	Drum Brakes

WHEELS & TYRES

Tyre	195 R 15 LT Radial Tube Type
Rim Size	15"

OVERALL VEHICLE DIMENSIONS

Width	1 860 mm
Length	5 005 mm
Height	1 810 mm
Ground Clearance	190 mm
Wheelbase	2 825 mm
Internal Load Body (lxb)	2 227 mm (7.3 ft) x 1 703 mm (5.6 ft)
Turning Circle Radius	5 750 mm

WEIGHT

GVW	2 870 kg
Kerb Weight	1 830 kg
Payload	1 040 kg

PERFORMANCE

Gradeability	55 %
Restart Gradeability	42 %
Top Speed	80 km/h
Seating Capacity	D + 1

WARRANTY TERMS

Engine Oil Change Interval	20 000 km
Warranty (On Driveline)	3-Year or 3 Lakh km (whichever is earlier)

Specifications are subject to change without prior notice. These are indicative photos, specifications for reference only.



Flat bed type driver resting seats



Powerful & fuel efficient 3 L bigger engine



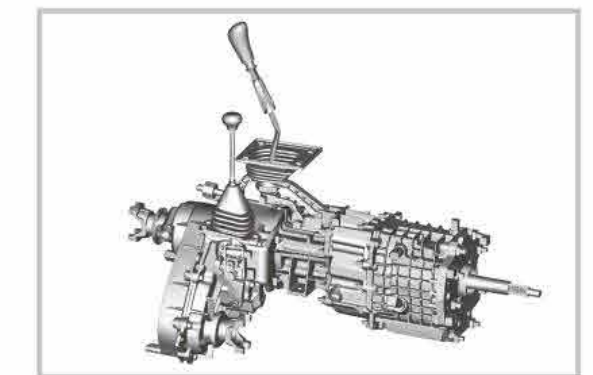
Wide load body for high earnings



Strong front & rear suspension with added leaves



High ground clearance



Gearbox Multi terrain capability



Mileage 14.06 km/l**



4x2 variant available



Warranty 3-Year or 3 Lakh km (whichever is earlier)



TATA MOTORS

For more information contact: Tata Motors Limited, 4th Floor, CVBU, Ahura Centre, Mahakali Caves Road, Shanti Nagar, Andheri (E), Mumbai - 400093. Call: 1800 209 7979 (toll-free), Visit: www.pickup.tatamotors.com or SMS*: <YODHA> to 5616161.

The illustrations and photographs may show accessories and items of optional equipment which are not part of standard specifications. Due to printing processes, colours may vary slightly from those shown. All listed specifications are current and subject to change or upgrade without prior notice, in accordance with the company's policy of continuous improvement.

#As per terms & conditions in the operator's service manual. *₹ 3 per SMS or as per service provider. **As per VRDE (Standard Test Conditions)